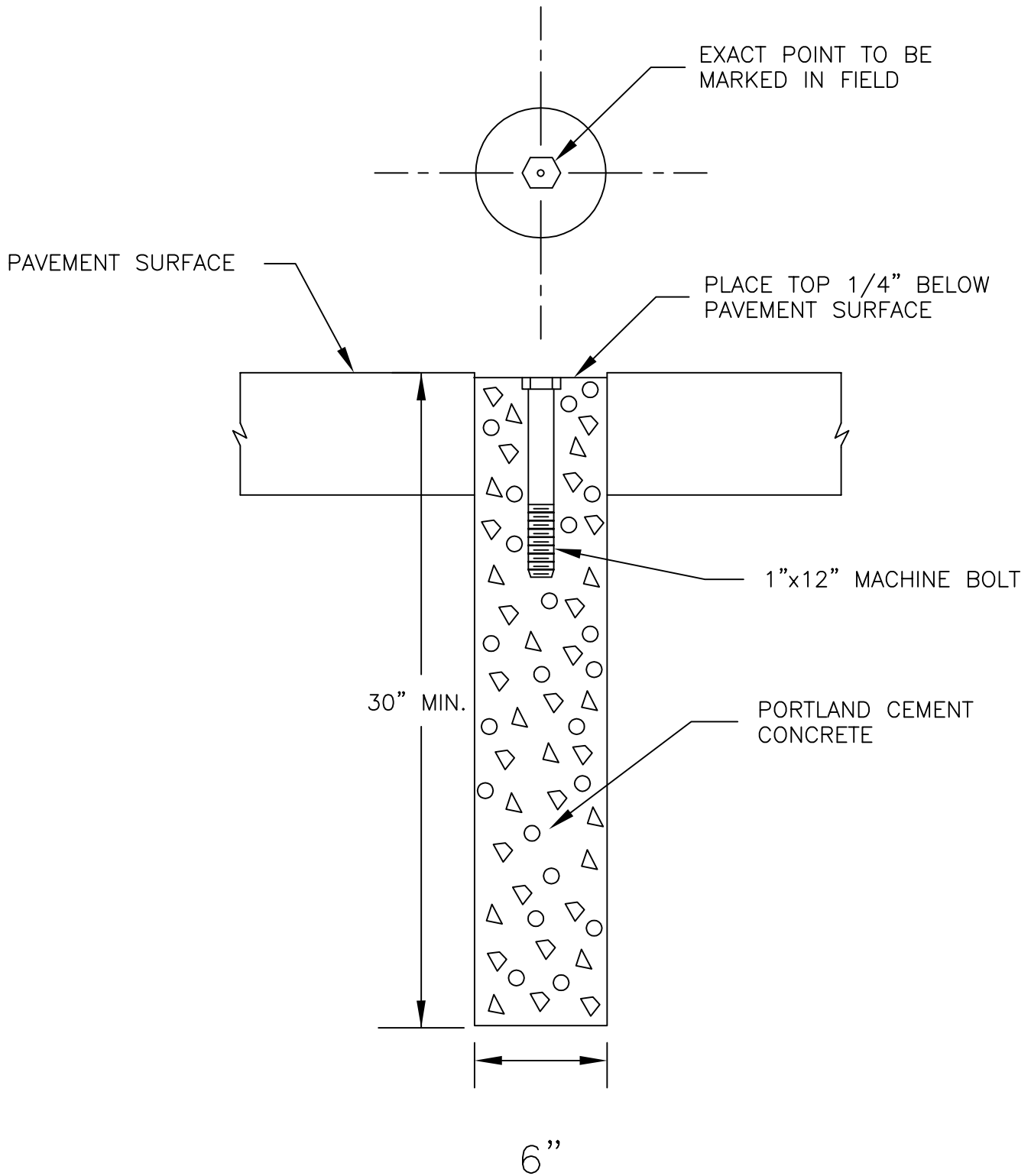


STANDARD MONUMENT DETAIL



STANDARD DRAWING NO. 9
CITY OF BOWLING GREEN
OCTOBER 1998