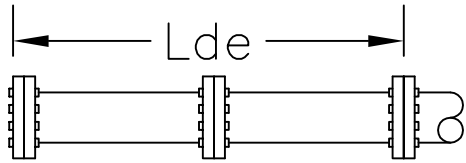
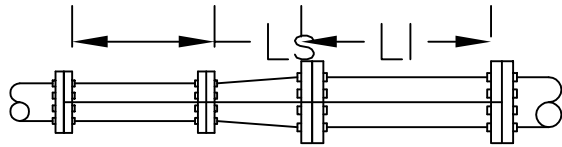


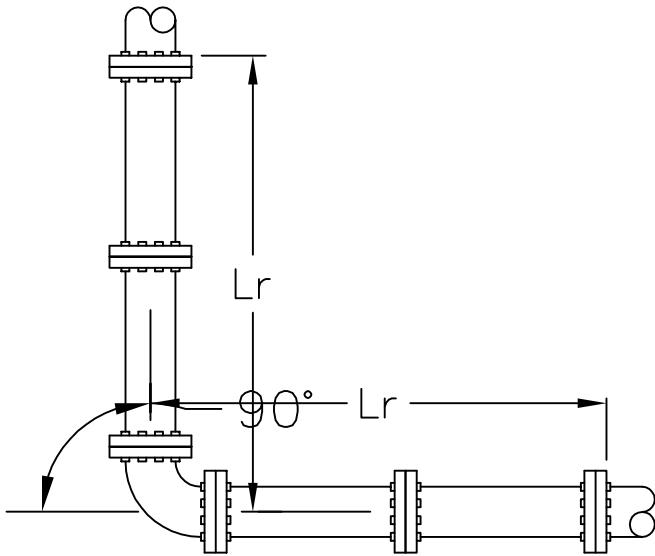
# PIPE RESTRAINT DIAGRAMS



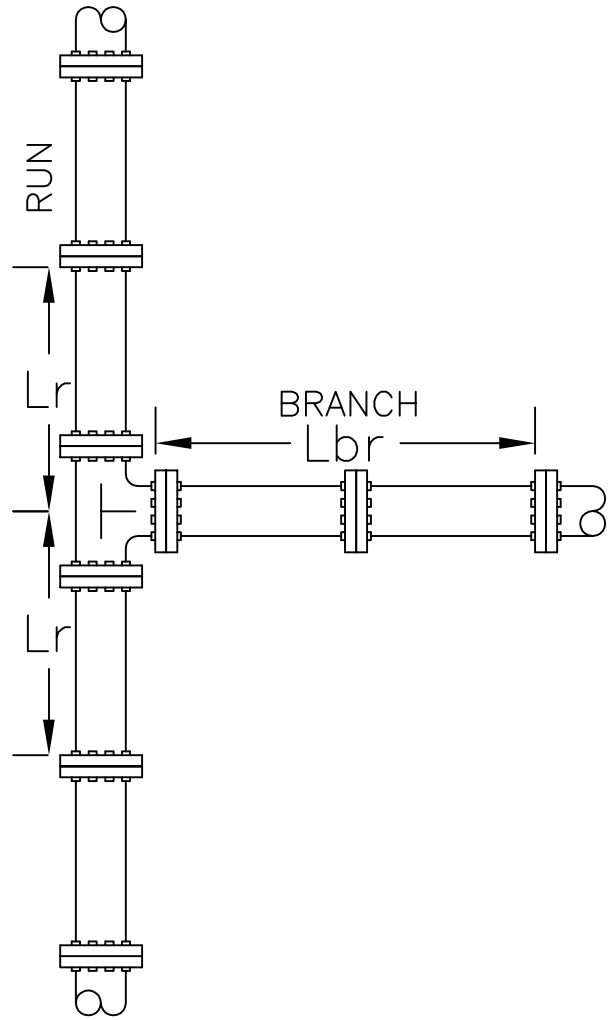
DEAD END



REDUCER

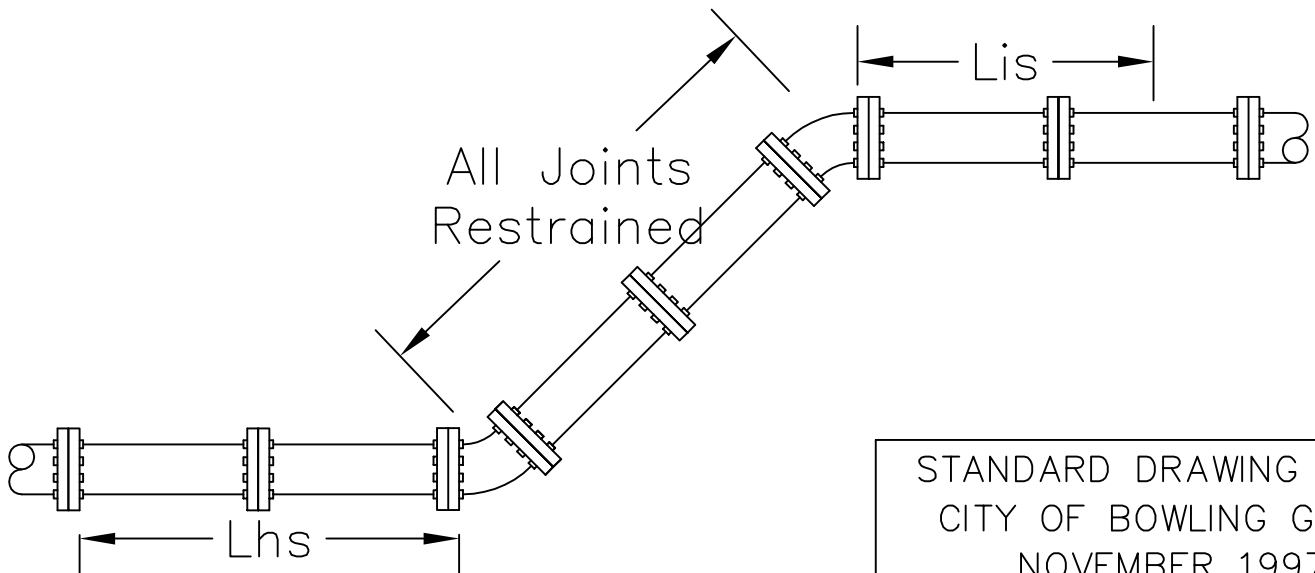


HORIZONTAL BEND



TEE

## VERTICLE DOWN BENDS AND OFFSET BENDS



STANDARD DRAWING NO. 6  
CITY OF BOWLING GREEN  
NOVEMBER 1997