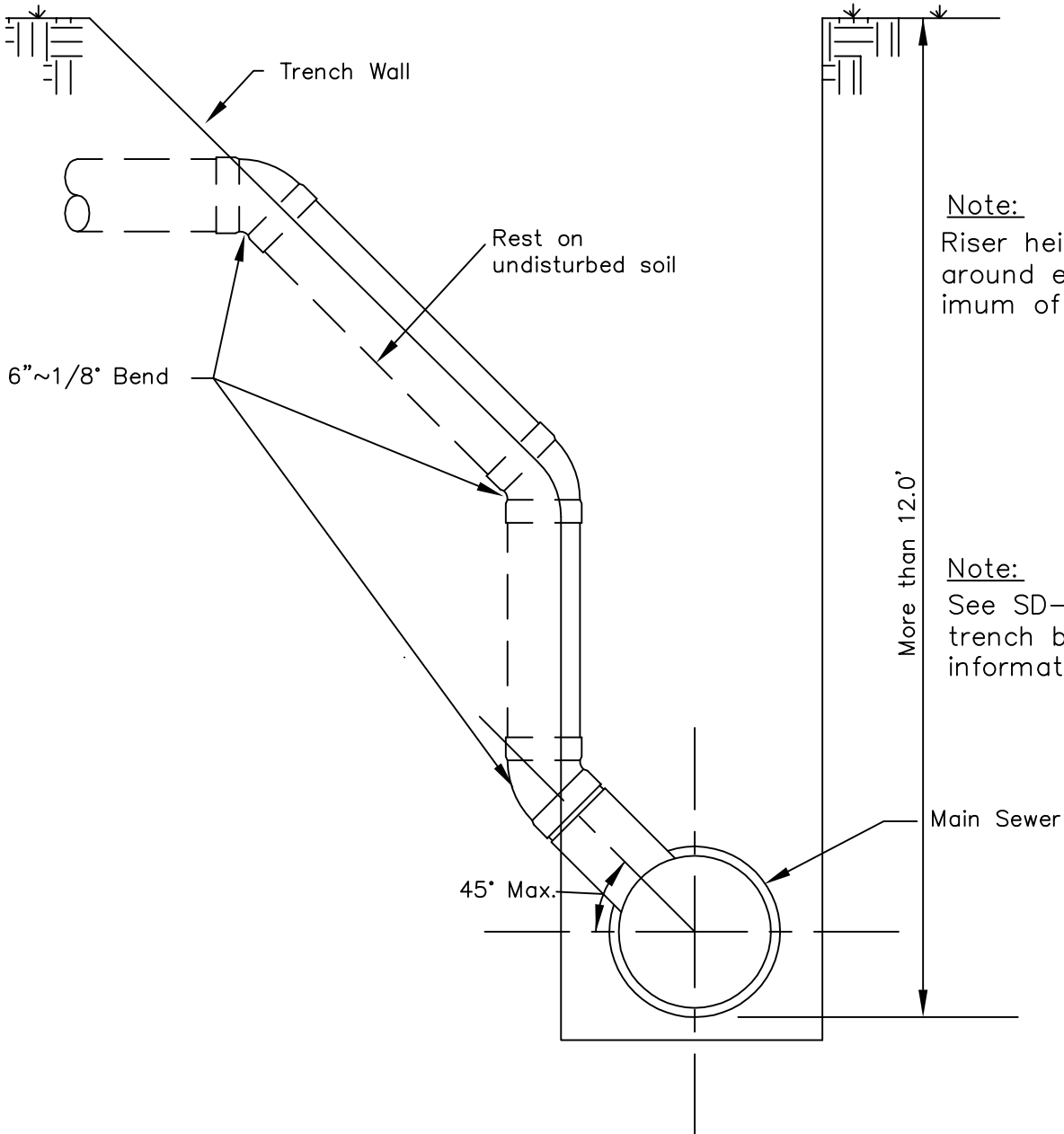


SEWER MAIN
SERVICE CONNECTION w/RISER
for sewer mains greater than 12.0' deep



Note:
Riser height to have sand around exposed riser a minimum of 6" from pipe bell.

Note:
See SD-2 for sewer trench bedding & backfill information.

STANDARD DRAWING NO. 2b
CITY OF BOWLING GREEN
JANUARY 1995