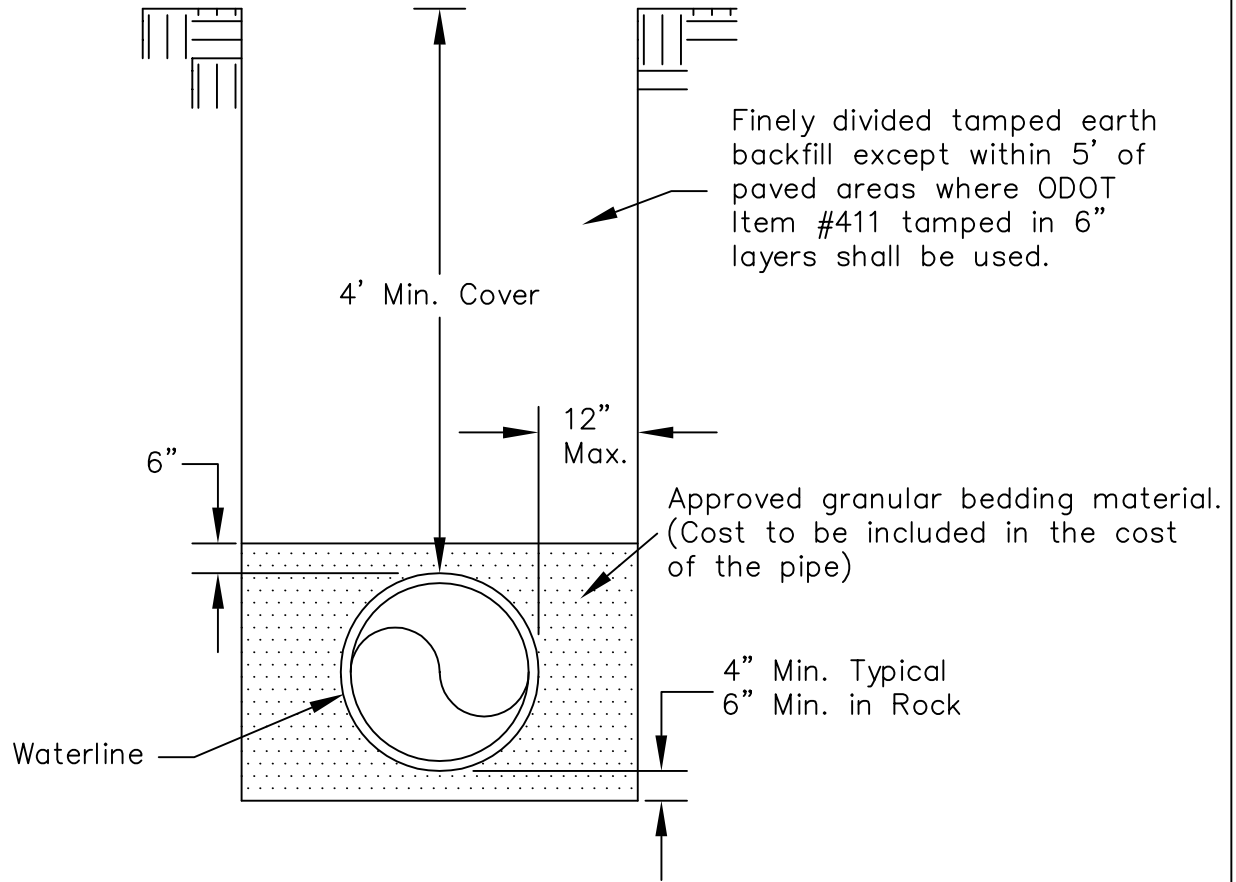


# WATERLINE TRENCH DETAIL



PIPE MATERIAL	BEDDING MATERIAL
C-900	#8 STONE
DUCTILE IRON	SAND

STANDARD DRAWING NO. 1  
CITY OF BOWLING GREEN  
NOVEMBER 1990